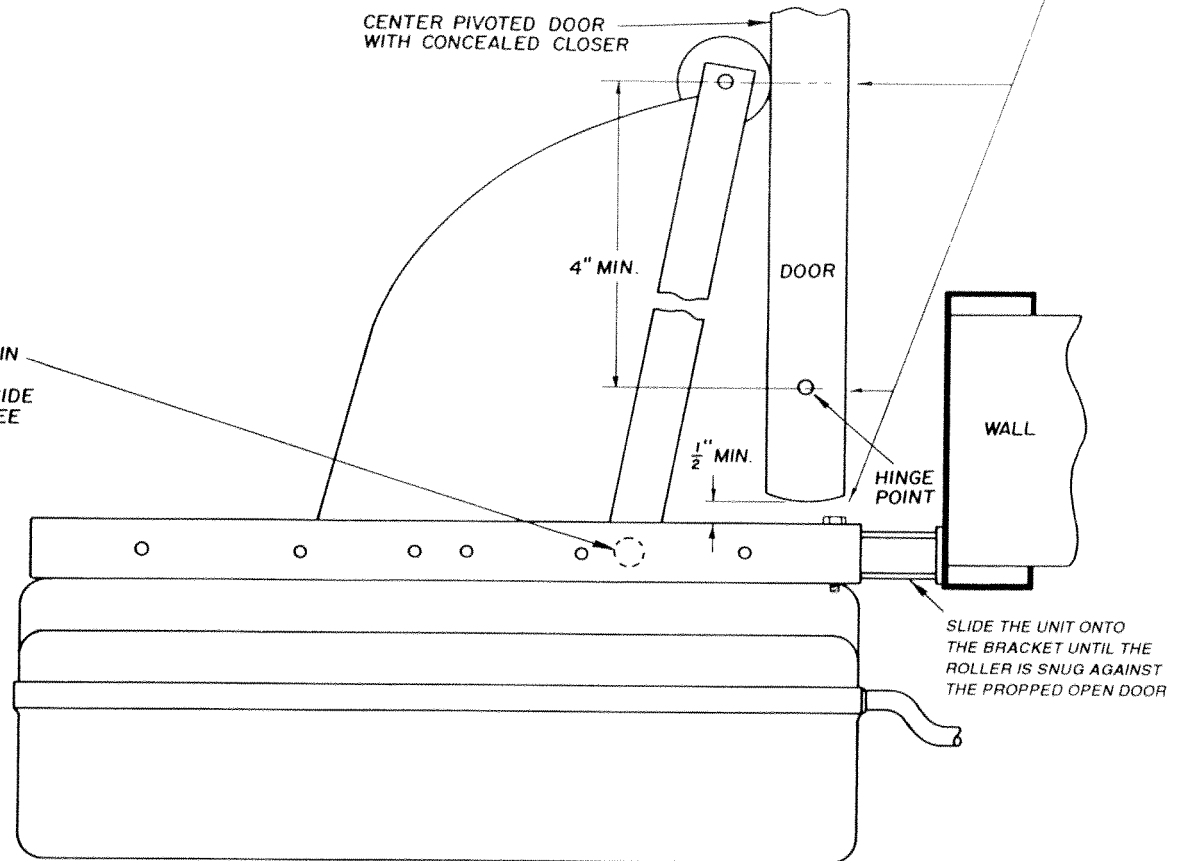


CENTER PIVOTED and OFFSET HINGE DOORS

WITH THE OPENER CYCLED TO THE OPEN POSITION AND THE DOOR OPEN AS SHOWN, ESTABLISH THE LATERAL LOCATION OF THE OPENER. THE DOOR SHOULD BE OPENED SLIGHTLY MORE THAN 90° TO ALLOW FOR COMPRESSION OF THE ROLLER AND PLAY IN THE LINKAGE.

POSITION THE OPENER AS FAR INTO THE OPENING AS POSSIBLE. MAINTAIN 1/2" MIN. CLEARANCE BETWEEN THE HEEL OF THE DOOR AND THE OPENER. THE DISTANCE BETWEEN THE ROLLER CONTACT POINT AND THE HINGE POINT MUST BE AT LEAST 4"

NOTE: IN CASE OF POWER FAILURE WITH ARM IN OPEN POSITION, REMOVE SPRING LOADED PULL PIN FROM ARM PIVOT AT BOTTOM SIDE OF OPENER TO ALLOW ARM TO SWING FREE



TOP VIEW RIGHT HAND UNIT

	POWER ACCESS CORPORATION	
	MODEL 4300 CENTER & OFFSET PIVOT	
	INSTALLATION DETAIL	
1/96 Rev.		4264