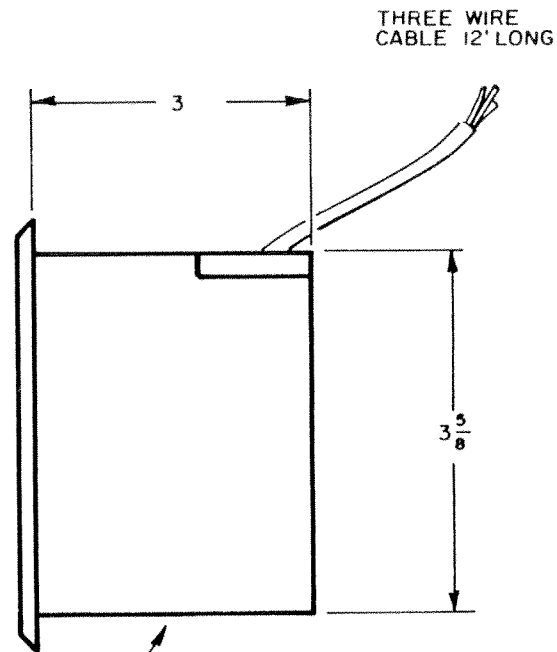


STAINLESS STEEL TOUCH PLATE



RECESSED ELECTRICAL BOX
(SLATER # 749B)
CUT OPENING $2 \frac{1}{4} \times 3 \frac{3}{4}$

POWER ACCESS CORPORATION

TOUCH CONTROL- FLUSH

3/91

MODEL 4444F