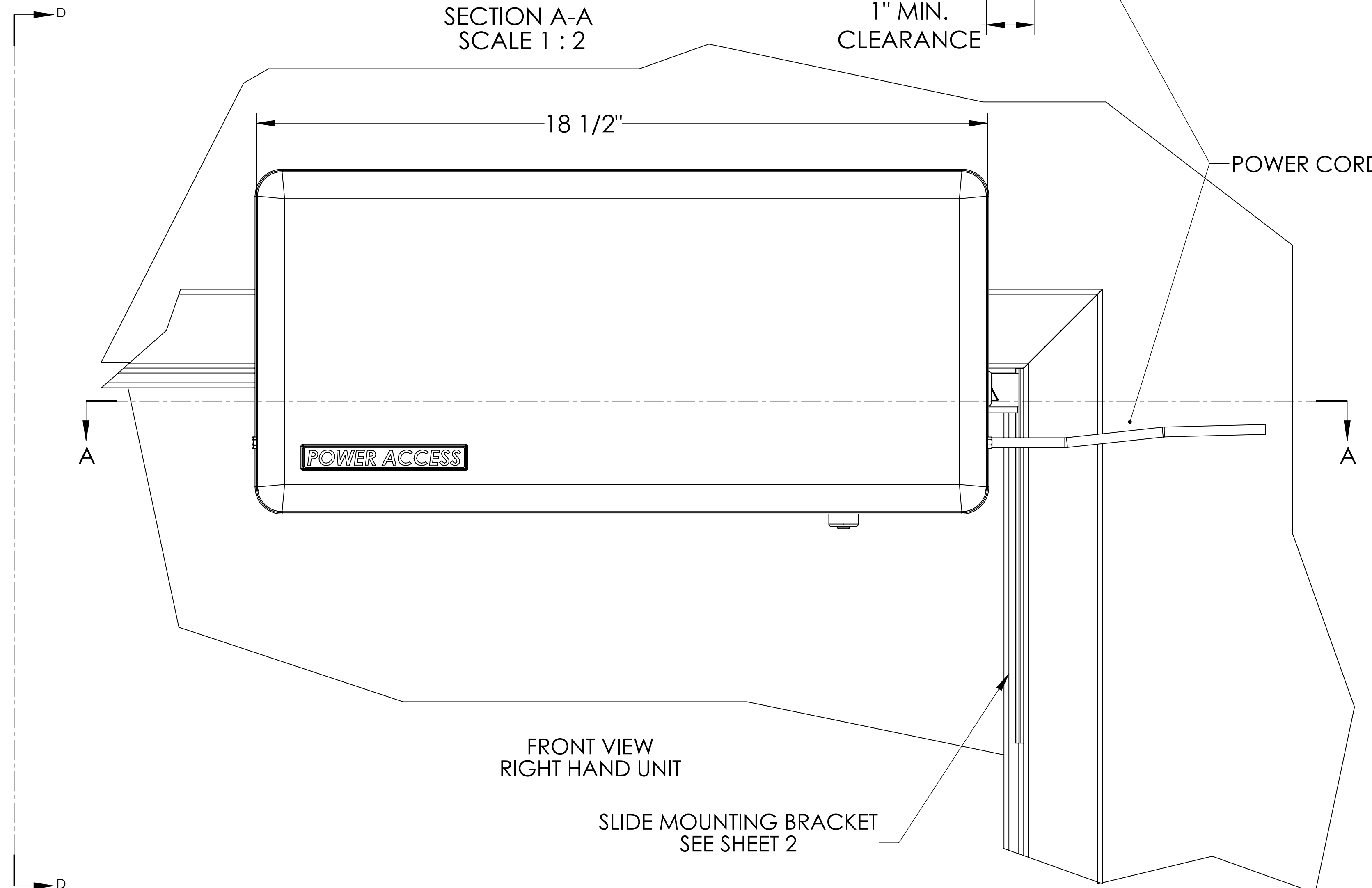
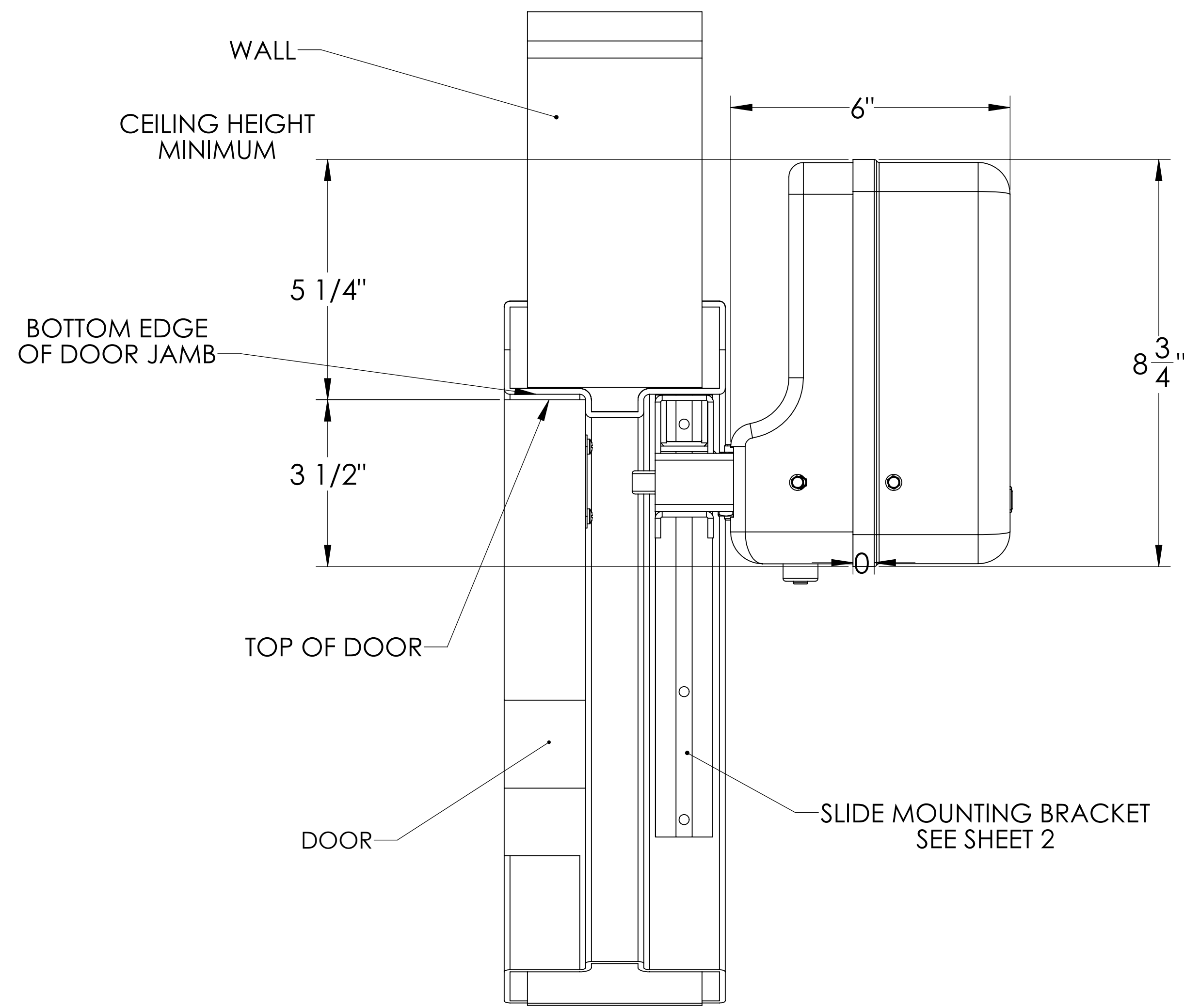
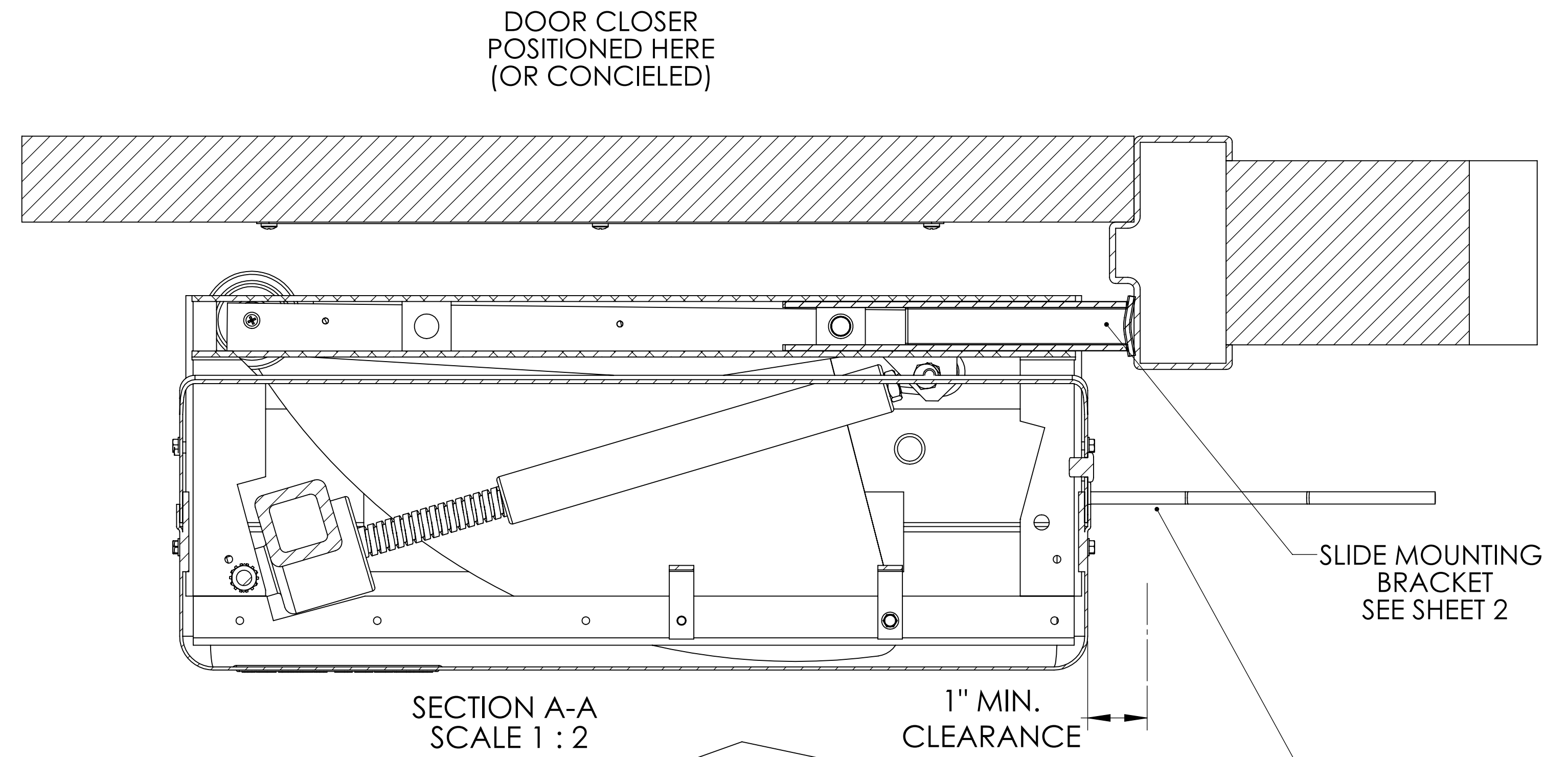
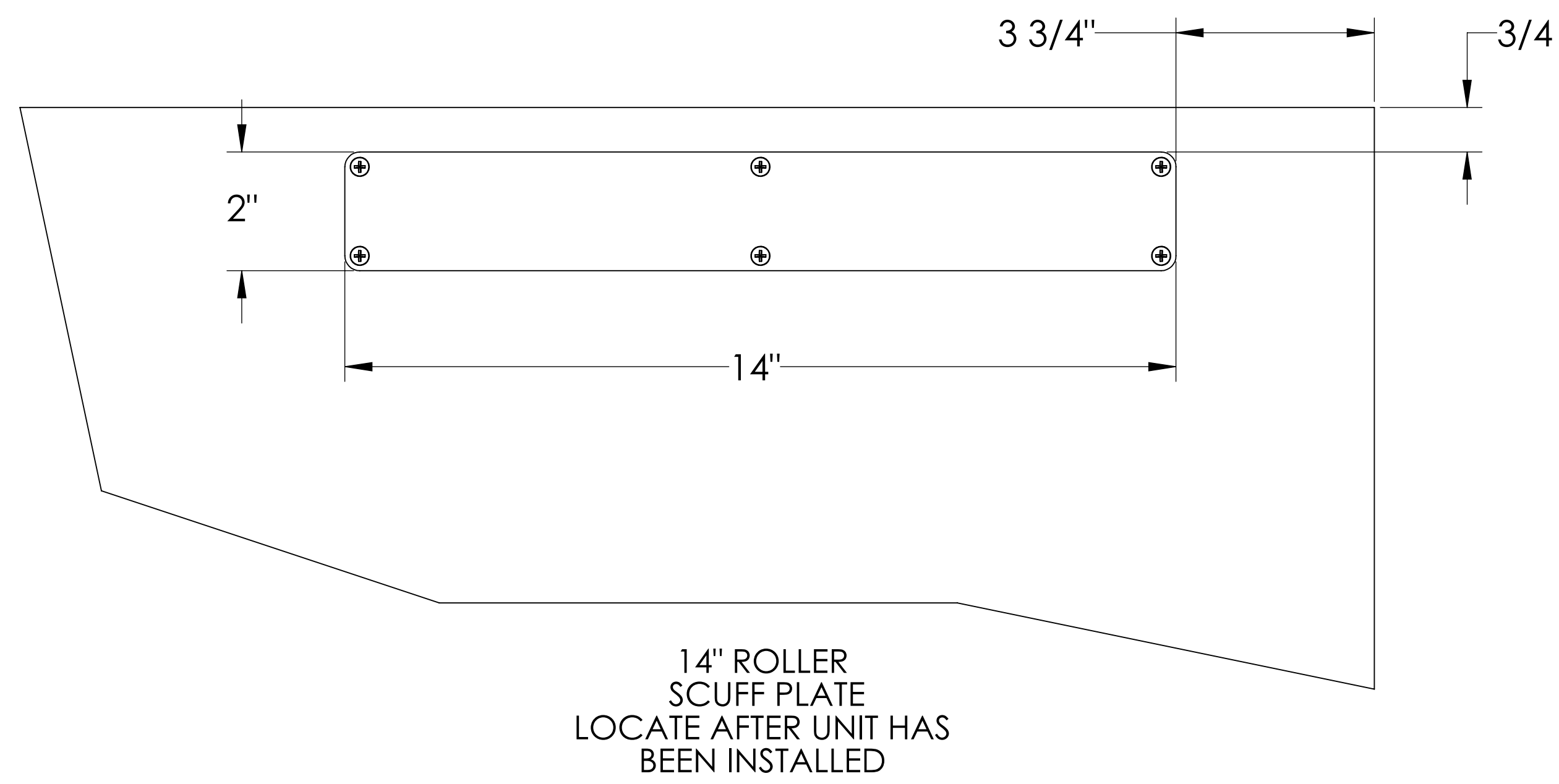


8 7 6 5 4 3 2 1

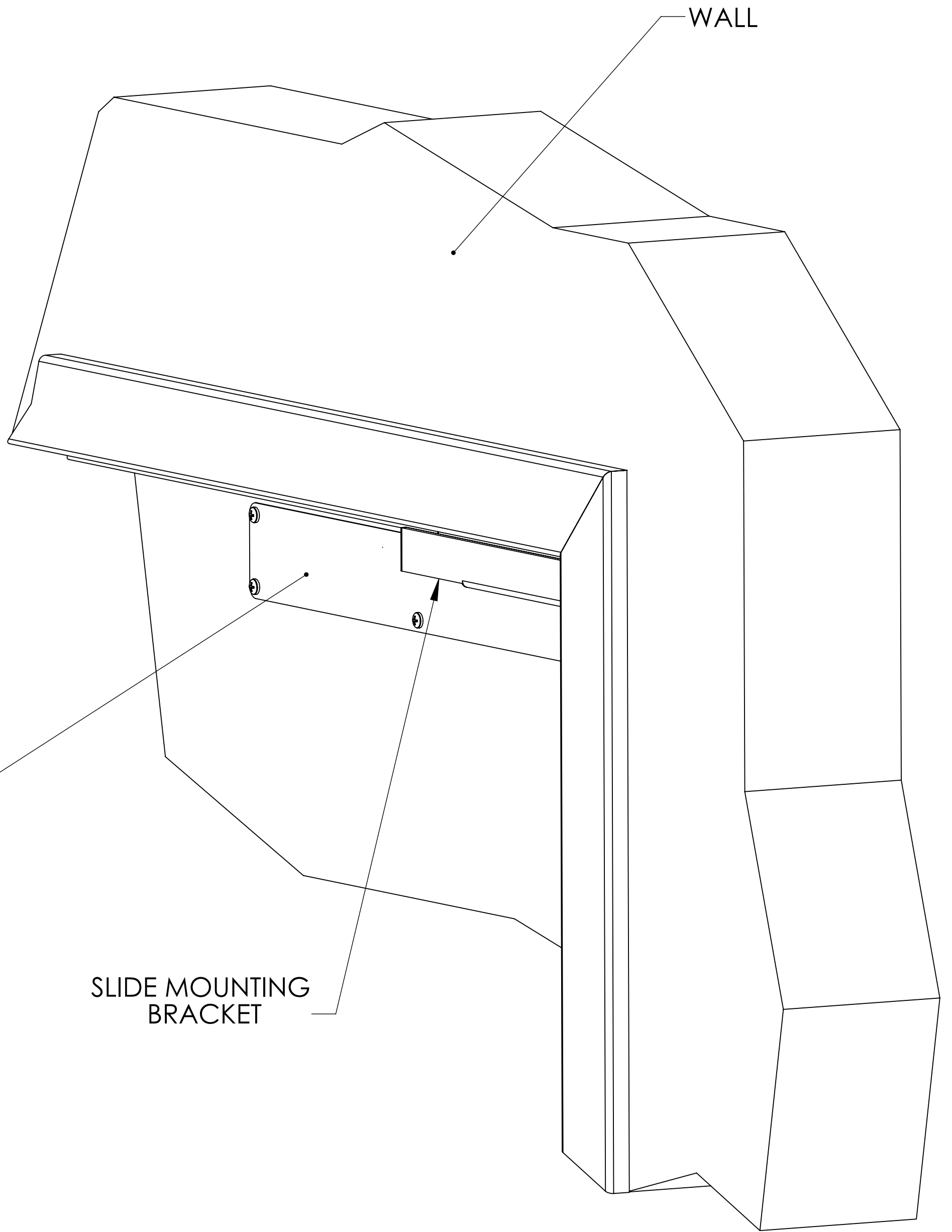
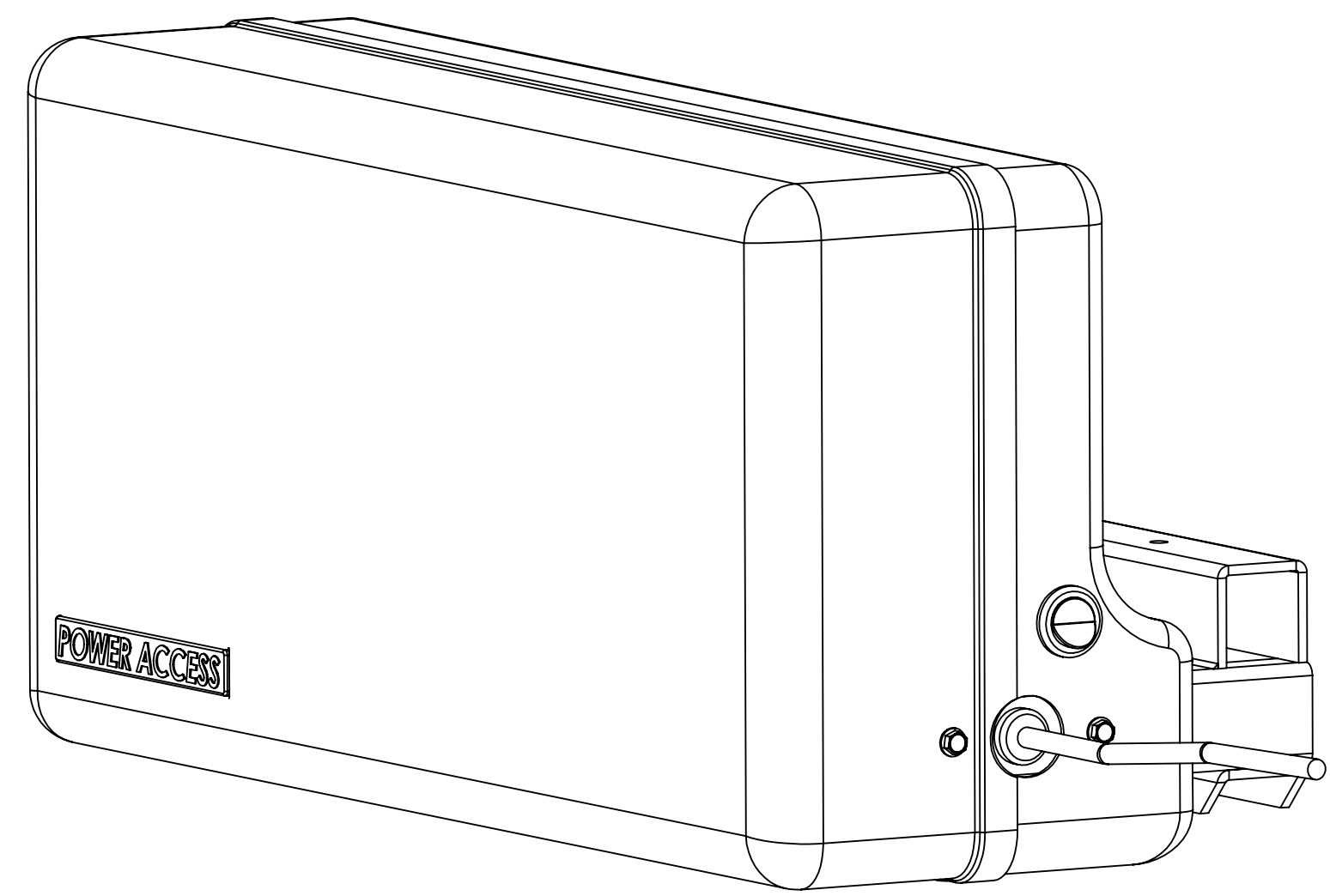


POWER REQUIREMENTS: 115 VAC, 3 AMP, SINGLE PHASE
GROUNDED RECEPTACLE, 9' POWER CORD SUPPLIED, 20' CORD
OPTIONAL. SENSORS-TOUCH CONTROLS FLOOR MATS WALL
SWITCHES RADIO CONTROL AS SPECIFIED.

PROPRIETARY AND CONFIDENTIAL
THE INFORMATION CONTAINED IN THIS DRAWING
IS THE SOLE PROPERTY OF POWER ACCESS
CORPORATION. ANY REPRODUCTION IN PART OR
AS A WHOLE WITHOUT THE WRITTEN PERMISSION
OF POWER ACCESS CORPORATION IS PROHIBITED.

UNLESS OTHERWISE SPECIFIED:		NAME	DATE	POWER ACCESS
DIMENSIONS ARE IN INCHES	TOLERANCES:	BH	10/29/15	
FRACTIONAL ±	DECIMAL ±			TITLE:
ANGULAR MATCH ±	BEND ±			ARCHITECTURAL
TWO PLACE DECIMAL ±	THREE PLACE DECIMAL ±			REQUIREMENTS
INTERPRET GEOMETRIC TOLERANCING PER:	MATERIAL			SIZE DWG. NO.
				D 4300R
				SCALE: 1:4 WEIGHT: SHEET 1 OF 2

8 7 6 5 4 3 2 1



ROLLER SCUFF
PLATE

SLIDE MOUNTING
BRACKET

WALL

PROPRIETARY AND CONFIDENTIAL
 THE INFORMATION CONTAINED IN THIS DRAWING
 IS THE SOLE PROPERTY OF POWER ACCESS
 CORPORATION. ANY REPRODUCTION IN PART OR
 AS A WHOLE WITHOUT THE WRITTEN PERMISSION
 OF POWER ACCESS CORPORATION IS PROHIBITED.

UNLESS OTHERWISE SPECIFIED:		DRAWN	NAME	DATE	POWER ACCESS TITLE: ARCHITECTURAL REQUIREMENTS SIZE DWG. NO. D 4300R-1 REV SCALE: 1:4 WEIGHT: SHEET 2 OF 2
DIMENSIONS ARE IN INCHES		CHECKED	B.H.	10/29/15	
TOLERANCES:		ENG APPR.			
FRACTIONAL ± ANGULAR MATCH ± BEND ± TWO PLACE DECIMAL ± THREE PLACE DECIMAL ±		MFG APPR.			
INTERPRET GEOMETRIC TOLERANCING PER:		G.A.		COMMENTS:	
NEXT ASSY	USED ON	FINISH			
APPLICATION					

REV
D 4300R